



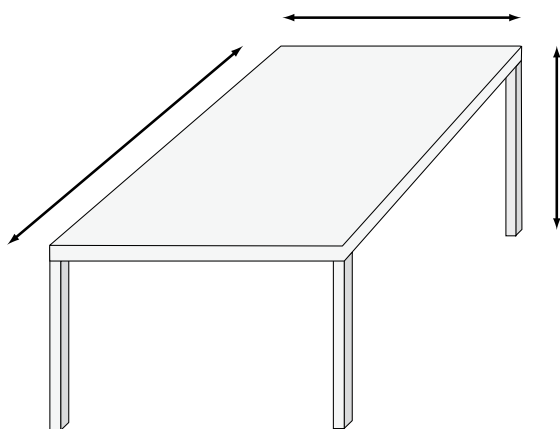
*Designer Diamond™*

# Embroidered and Hemstitched Tablecloth



## Sewing supplies

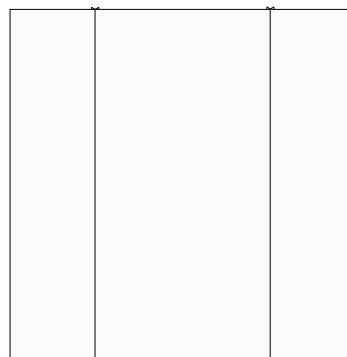
-  HUSQVARNA VIKING® DESIGNER DIAMOND™ sewing and embroidery machine
-  DESIGNER™ Royal Hoop 360 x 200 mm #4129445-01
-  DESIGNER™ Majestic Hoop 360 x 350 mm #920222-096
-  Linen fabric
-  Tear Away Stabilizer
-  Rayon embroidery thread
-  Fine Cotton thread to match the fabric for hemstitching Linen fabric
-  Wing Needle
-  Pictogram Pen



## Sew

Measure the length, width and height of your table.

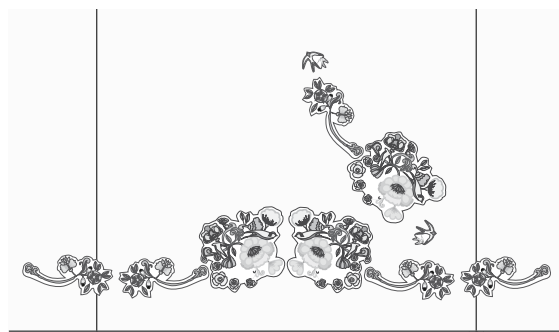
Add the measurements for length and height for the total length and add the measurements for width and height for the total width of the tablecloth.



Note: If necessary, piece the fabric to achieve the needed width by splitting one length down the center and adding pieces at the sides so the top of the tablecloth is a solid piece of fabric.

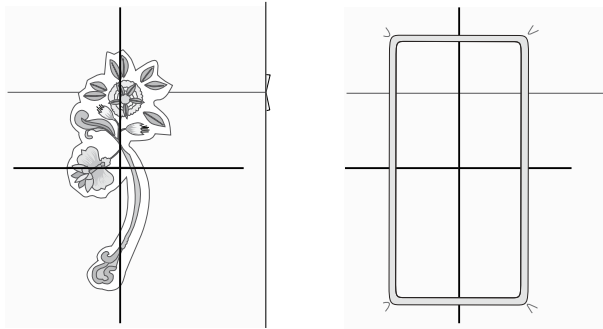
For the amount of yardage needed for piecing the fabric in this way, double the total length of the finished cloth and add for seam allowances and hem.

Print paper templates in your 4D™ Embroidery Software, of the design #4, #5 and #11 that come with your DESIGNER DIAMOND™ sewing and embroidery machine mirror imaging some of the designs. Cut out the shapes of the designs.



Arrange the paper designs on your fabric as desired.

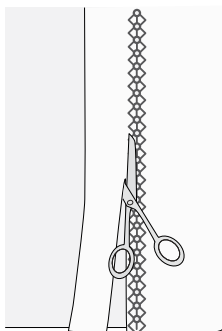
Before starting your project test your embroidery with scraps of the actual fabric, with the stabilizer and threads you will be using. If the fabric needs more stabilizing place two pieces of tear-away stabilizer underneath the fabric.



Mark the center and side markings of the embroidery paper templates, hoop the fabric according to the markings. Hoop your fabric with tear-away stabilizer, so the bulk of the fabric is to the left side of the hoop. Embroider the designs.

## *Hem*

Fold and press a 1 1/2" (4 cm) hem to the wrong side of the fabric. Insert a wing needle, and select a hemstitch stitch from the D Menu such as D7. Snap on the B foot. Thread with



fine cotton thread to match the color of your fabric on the top and in the bobbin. Place tear away stabilizer under the fabric. Sew 1" (2.5 cm) from the tablecloth edge with the right side of

the fabric up as you are sewing. Tear away the stabilizer and trim away the extra fabric close to the stitching.