



Childrens Hat

Designed and created by Ingrid Seiborg

Sewing Supplies:

- 30 cm (12") Fleece
- Husqvarna Viking embroidery machine
- Embroidery hoop 100x100mm
- Embroidery tear away stabilizer
- Matching sewing thread for the fabric
- Machine embroidery thread
- Machine embroidery bobbin thread
- Embroidery collection 133 Lively Letters
- Pictogram Pen



*Embroider your childrens'
names on matching scarfs*

Cut

Cut the pieces according to Illustration A.

Measure the circumference of the child's head. The length of the pieces should be the same as the circumference (1). For big sizes you have to add to the height as well.

Cut the pieces from fleece fabric, add 1cm (1/2") seam allowance to all pieces. If the fleece fabric is very stretchable you don't need to add seam allowance.

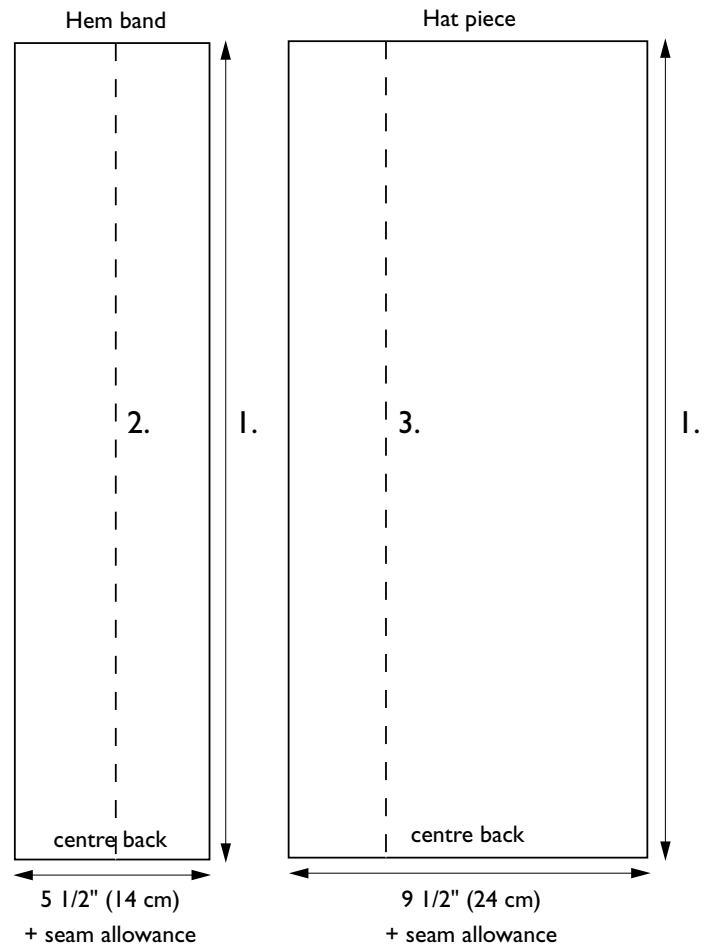


Illustration A

Embroider

Prepare your embroidery machine for embroidering. Using your Pictogram Pen, mark the start point of your embroidery on the hem band, it should be centered between the edge and the fold line (2) (seam allowance excluded). Choose one of the letters.

Hoop tear away stabilizer in the hoop. Place the fabric on the stabilizer and fix/baste it in place. Embroider the design according to Illustration B.

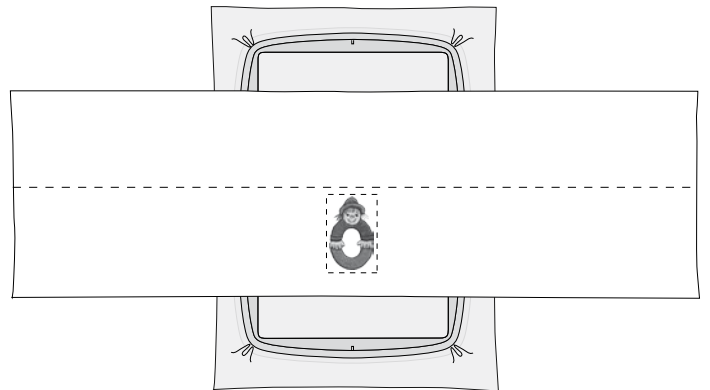


Illustration B

Sew

Snap on the A-foot. Choose the pre-programmed basting stitch and sew on both side of the basting stitch line (3) on the hat piece.

Fold the hem band in half, matching the short ends, right sides together. Select seam/overcast for stretch fabric (or use a serger). Sew the center back seam. Fold the hat piece in the same way and sew from lower edge up to basting stitch line.

Fold the hem band along the folding line, wrong sides together. Baste the open edges together.

Pin the hem band to the lower edge of the hat, at the wrong side, matching the seams, and sew (Illustration C).

Cut fringes at the upper edge of the hat, stop 1 cm (1/2") from the basting line. Cut a narrow strip of fleece fabric and tie a knot around the fringe to create a tassel.

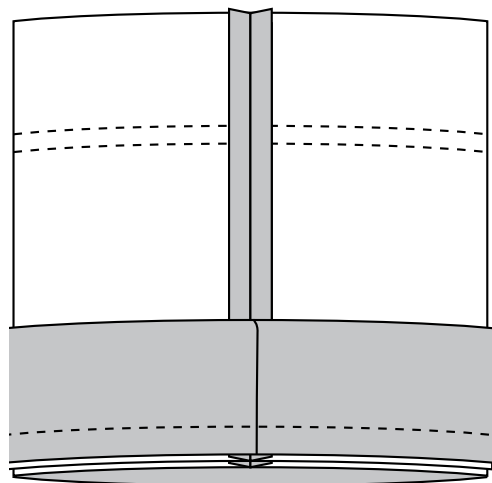


Illustration C



Husqvarna

VIKING